

ECN.No.	DATE	DETAILS	REVISION
1305	23/11/2005	FIRST ISSUE	1
2404	03/03/2010	UPDATE TERMINAL BOX AND LID	2
2461	24/10/2010	INLET / OUTLET ADAPTORS CHANGED	3
1221	30/07/2012	CONNECTION CHANGES	4

STUART TURNER LTD HENLEY-ON-THAMES.

REVISION	DRG.No.
4	41121

THIRD ANGLE PROJECTION

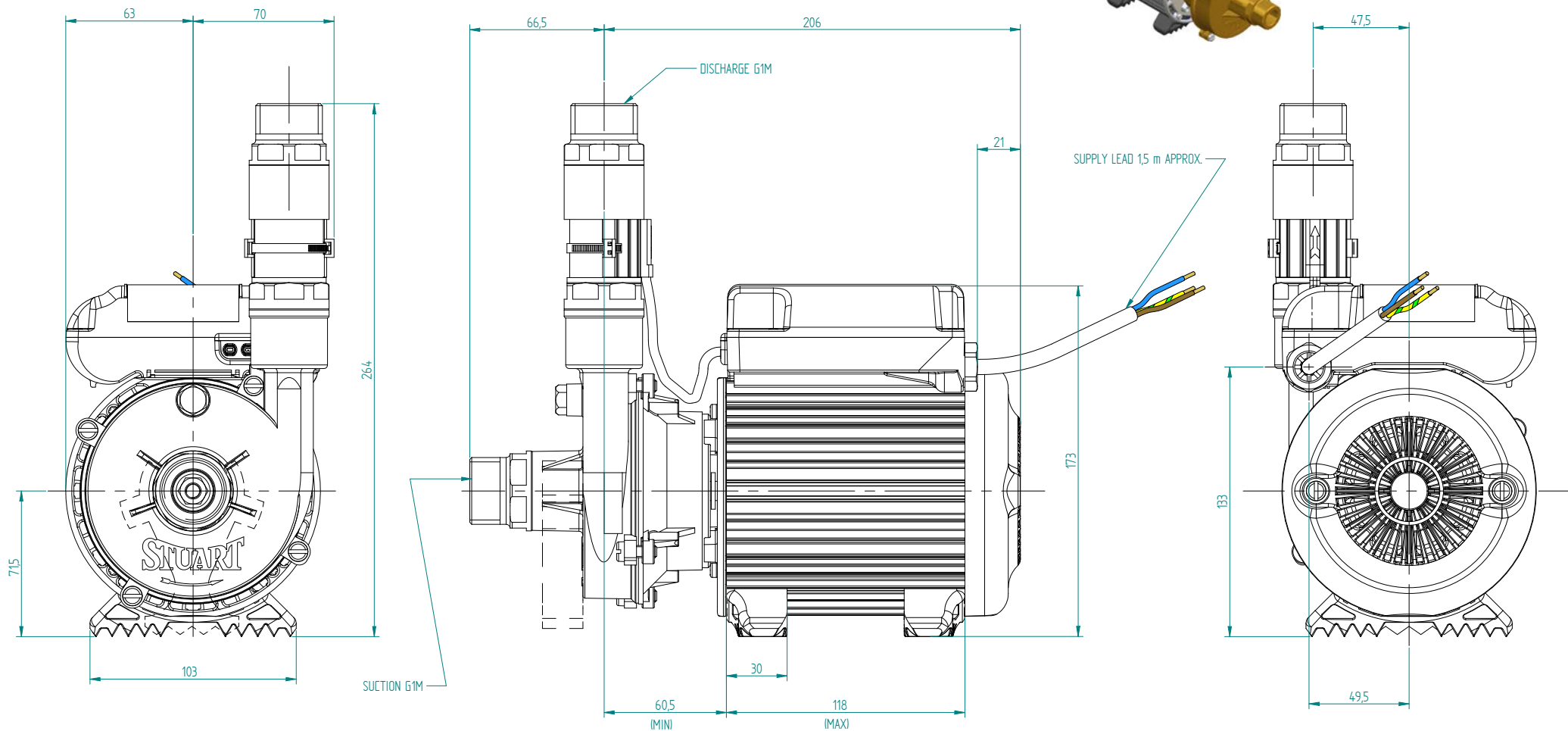
DIMENSIONS IN MILLIMETRES

MACHINING SYMBOLS TO BS 308

REMOVE ALL BURRS AND SHARP EDGES

If drawing is to be used for constructional purposes please contact Stuart Turner Ltd and request a certified document.

Stuart Turner Ltd own the copyright within this document. The document may be printed for personal use only. The document must not be altered, reproduced or utilized in any way without written permission from Stuart Turner Ltd, Henley-on-Thames, Oxon, UK.



Stuart Turner Ltd reserves the right to amend specifications without notice.

DRAWN	AT
CHECKED	
DATE	23/11/2005

OUTLINE ARRANGEMENT MONSOON EXTRA S1,4 BAR PUMP

USED ON	.
SUPERSEDES	.

GENERAL LIMIT	± 2 mm
FILE	SOLIDEDGE FILES/PUMPS/GAI/41121-4
MATL.	.

SCALE	1:1	A1
DRG.No.	41121	

plumbworld
Big brands, small prices.

Pdf Supplied By <http://www.plumbworld.co.uk/>